



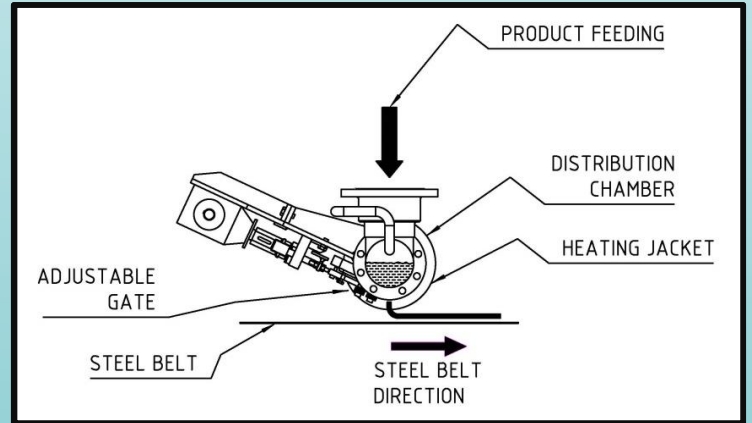
Steel Belt Systems

Chemical & Rubber Feeding devices

Feeding device Ribbon Former®

The ribbon former is composed by a horizontal jacketed pipe with a bottom gate openable by means of an adjustable blade.

Molten products are fed from the top; the internal chamber allows the distribution of the product along the feeder's width, which releases the product's layer onto the belt.



Main advantages:

- The opening of the gate is adjustable by means of a hand wheel; a full automatic system is available under request.
- The external sides of the feeder can be easily removed for cleaning.
- The ribbon former is suitable to feed medium-high viscosity products that are sensitive to air.
- Our feeding system is available for all widths of belts and can be placed on existing belt machines too.

